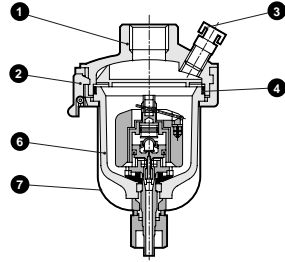
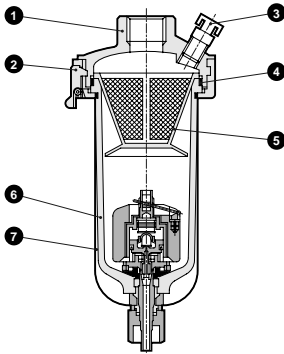


Internal structure and parts list

• B5102-3 / 4C-FJ

• B5102-3 / 4C-F



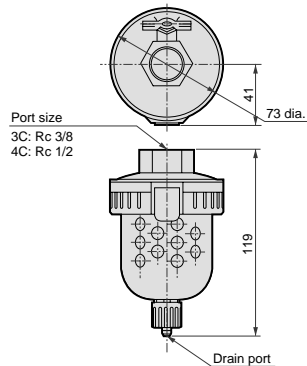
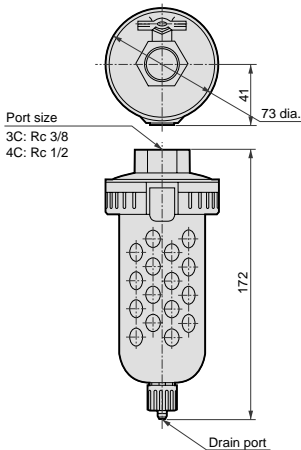
No.	Part name	Material	Model no.	Remarks
1	Cover	Zinc die casting		
2	Clamp ring assembly	Zinc die casting	1144-CLAMP-RING	
3	Petcock	Brass	DT3000-PETCOCK	
4	O ring	Nitrile rubber	1144-ORING	
5	Screen	Polyacetal	B5102-SCREEN	
6	Bowl assembly	Polycarbonate and other	B5102-BOWL-FJ	FJ type
			B5102-BOWL-F	F type
7	Bowl guard	Steel	B5102-BOWL-GUARD-J	FJ type
			B5102-BOWL-GUARD	F type

Note: Avoid direct sun lay.

Dimensions

• B5102-3 / 4C-FJ

• B5102-3 / 4C-F



Note: Manual cock type drain port can be connected to nylon tube 5.7 to 6.0 dia. directly.

Note: Size of drain port of metal bowl is Rc1/4.

Refrigerating type dryer
Desiccant type dryer
High polymer membrane dryer
Air filter
Automatic drain other
F.R.L (Module)
F.R.L (Separate)
Small F.R.
Precise R.
Electro pneumatic R.
Auxiliary
Flow control valve
Silencer
Check valve / others
Joint / tube
Vacuum F.
Vacuum R.
Vacuum generator
Vacuum auxiliary / pad
Mechanical pressure SW
Electronic pressure SW
Electronic dif. pres. SW
Seating / close contact conf. SW
Pressure SW for coolant
Flow sensor for air
Total air system
Water cooling refrigerator
Flow sensor for water
Main line unit
Automatic drain with manual cock